

# Technical Information

TP50M14/2 D

<div style="display: flex; align-items: center;"> <div style="margin-left: 10px;"> <p><b>DIN EN</b></p> <p>Bauart geprüft und überwacht</p> <p>www.tuv.com</p> <p>DE 1117-281288</p> </div> </div> <p><b>Operating data</b></p> <p>Flow 0 m³/h</p> <p>Head 0 m</p> <p>Shaft power P2</p> <p>Pump efficiency %</p> <p>Required pump NPSH</p> <p>Pump type Single head pump</p> <p>No. of pumps 1</p> <p>Fluid Water, clean</p>	<p>Testnorm: ISO9906 Sect. 4.4.2</p>
<p><b>Pump</b></p> <p>Pump Code TP50M14/2 D</p> <p>Impeller Single vane impeller</p> <p>Impeller size 102 mm</p> <p>Solid size 50 mm</p> <p>Discharge port G 2 1/2 AG</p> <p>Suction port</p>	
<p><b>Motor</b></p> <p>Rated voltage 400 V</p> <p>Frequency 50 Hz</p> <p>Rated power P2 1.0 kW</p> <p>Rated speed 2900 rpm</p> <p>Number of poles 2</p> <p>Efficiency 78 %</p> <p>Rated current 2.5 A</p> <p>Degree of protection IP 68</p>	<p>Wet well installation with coupling kit (M12...17)</p> <p>Dimensions in mm,</p>
<p><b>Materials</b></p> <p>Motor housing Grey cast iron GG25</p> <p>Pump housing Grey cast iron GG25</p> <p>Impeller Grey cast iron EN-GJL-250</p> <p>Wear ring Bronze</p> <p>Motor shaft Stainless steel 1.4104</p> <p>Bolts Stainless steel</p> <p>O-Rings Nitrile Rubber</p> <p>Mechanical seal on medium side SiC / SiC</p> <p>Lip seal on motor side Nitrile Rubber</p> <p>Lower Bearing Deep Groove Ball Bearing</p> <p>Upper Bearing Deep Groove Ball Bearing</p>	<p><b>Table Dimensions ( mm )</b></p>

2.3.7 - 28.06/2017 (Build 1690)

Project	Project no.:	Created by :	Page: 1	Date: 06/06/2023
---------	--------------	--------------	---------	------------------

# Performance Curve

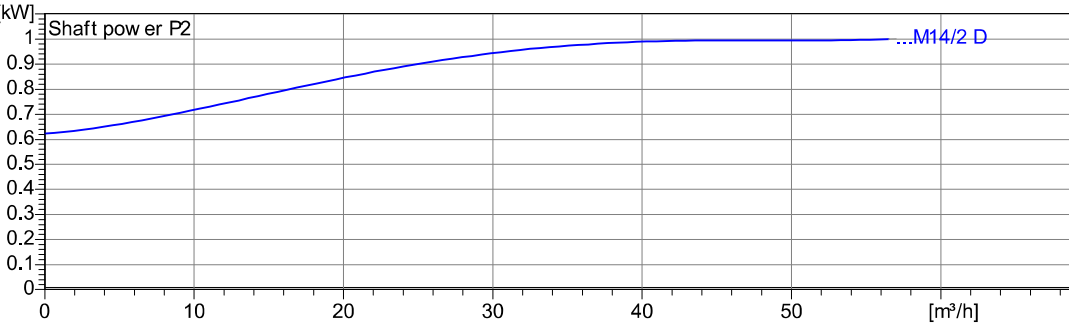
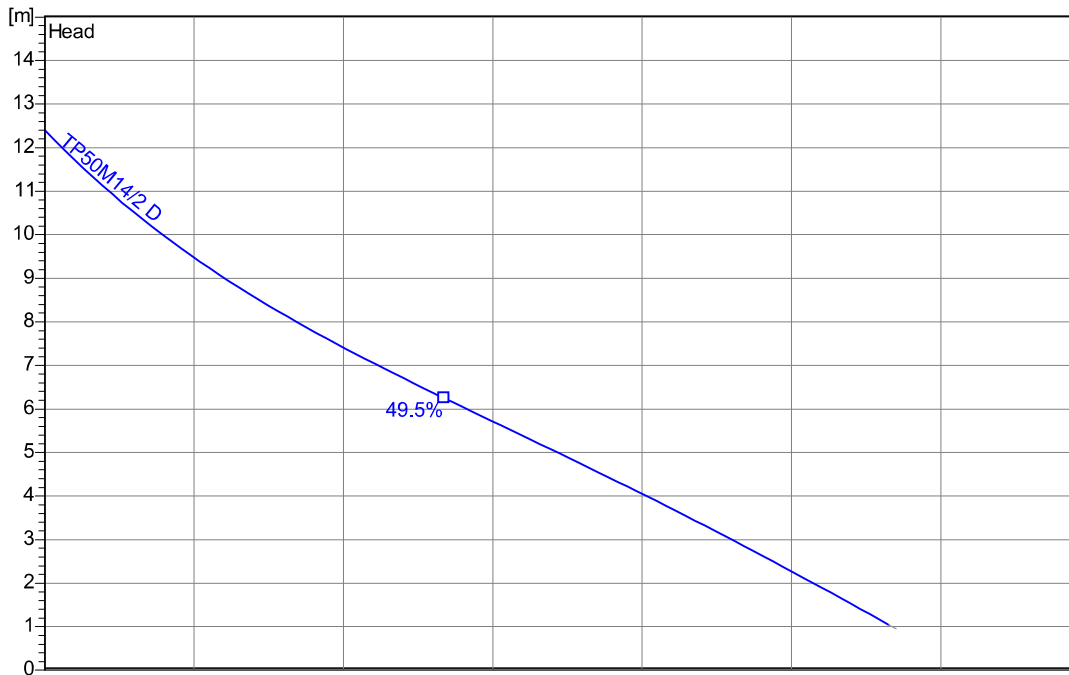
TP50M14/2 D



Impeller						
Impeller type: Single vane impeller	Solid size 50 mm	Ø:	Max. Ø: 102 mm	Min. Ø: 102 mm	Sel. Ø: 102 mm	
Operating data						
Speed: <b>2900 rpm</b>	Frequency: <b>50 Hz</b>	Duty point: <b>Q = 0 m³/h</b>	<b>H = 0 m</b>	Shaft power P2:	Discharge port: <b>G 2 1/2 AG</b>	

Power data referred to:  
Water, clean [100%] ; 20°C; 998.3kg/m³; 1.005mm²/s

Testnorm: ISO9906 Sect. 4.4.2



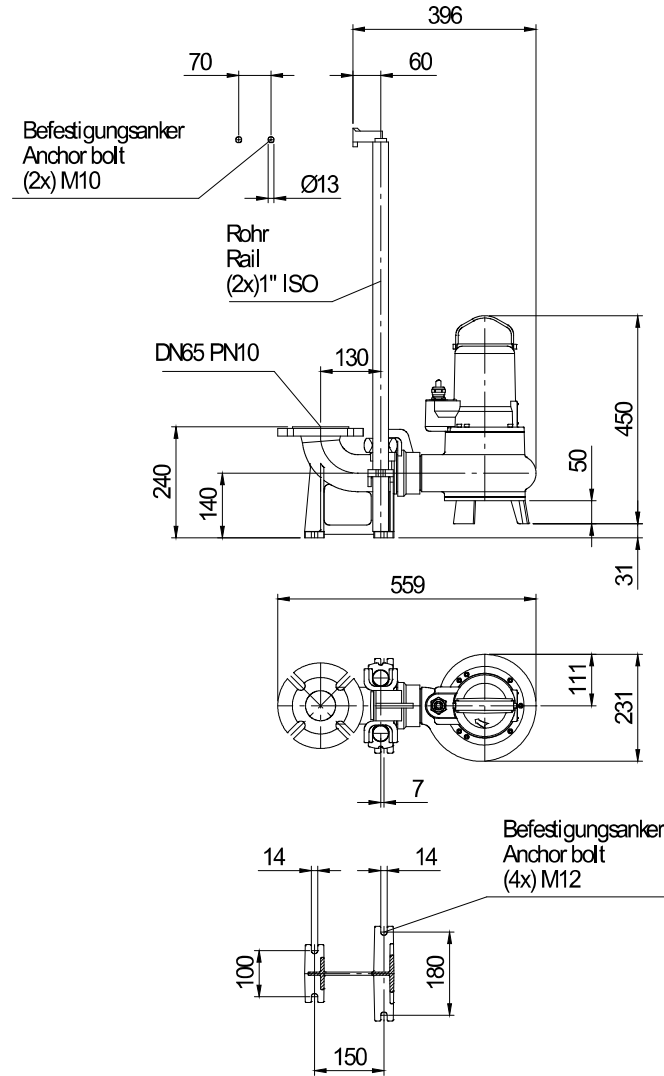
2.3.7 - 28/06/2017 (Build 1690)

Project	Project no.:	Created by:	Page: 2	Date: 06/06/2023
---------	--------------	-------------	---------	------------------

# Dimensions

TP50M14/2 D

Wet well installation with coupling kit (M12...17)  
 Dimensions in mm, le



**Table Dimensions ( mm )**

--	--	--	--

2.3.7 - 28/06/2017 (Build 1690)

Project	Project no.:	Created by :	Page: <b>3</b>	Date: <b>06/06/2023</b>
---------	--------------	--------------	-------------------	----------------------------


# Technical Data

TP50M14/2 D



Operating data					
Flow	0 m³/h	m³/h	Head	0 m	m
Shaft power P2		kW	Geodetic head	0	m
Pump efficiency		%	Required pump NPSH		m
Pump type	Single head pump		No. of pumps	1	
Fluid	Water, clean		Temperature	20 °C	
Density	998.3	kg/m³	Kin. viscosity	1.005 mm²/s	

Pump					
Pump Code	TP50M14/2 D		Speed	2900 rpm	
Suction port			Head	Max.	12.4 m
Discharge port	G 2 1/2 AG			Min.	1.0 m
Impeller type	Single vane impeller		Flow	Max.	56.5 m³/h
Solid size	50	mm	Pump efficiency max.	49.5 %	
Impeller Ø	102	mm	Required rated power max. P2	1.0 kW	

Motor					
Motor design	Submersible motor		Insulation class	H	
Motor name	AM 120TM.1.7/2 D		Degree of protection	IP 68	
Frequency	50	Hz	Temperature class		
Rated power P1	1.3	kW			
Rated power P2	1.0	kW	Explosion protection		
Rated speed	2900	rpm	Efficiency at % rated power	100%	78.0 %
Rated voltage	400	V 3~		75%	%
Rated current	2.5	A		50%	%
Starting current, direct starting	15.0	A	cos phi at % rated power	100%	0.80
Starting current, star-delta	5	A		75%	
Starting mode	Directly			50%	
Power cable	6G1,5		Control cable		
Type of power cable	H07RN8-F PLUS		Type of control cable		
Cable length	10.0 m		Service factor	1.15	
Shaft seal	Mechanical seal on medium side		SiC / SiC		
	Lip seal on motor side		Nitrile Rubber		
Bearing	Lower Bearing		Deep Groove Ball Bearing		
	Upper Bearing		Deep Groove Ball Bearing		
Remarks			 Beurteilt geprüft und überwacht <b>DIN EN</b>		

Materials / Weight			
Motor housing	Grey cast iron GG25	Bolts	Stainless steel
Pump housing	Grey cast iron GG25	O-Rings	Nitrile Rubber
Impeller	Grey cast iron EN-GJL-250		
Wear ring	Bronze		
Motor shaft	Stainless steel 1.4104		
Weight aggregate	27 kg		

Project	Project no.:	Created by :	Page: <b>4</b>	Date: <b>06/06/2023</b>
---------	--------------	--------------	----------------	-------------------------

2.3.7 - 28.06/2017 (Build 1690)