

Customer's purchase order No.: 987/4500206045  
 Customer's item No.: SP 3-P1 + P2  
 HSP-P1

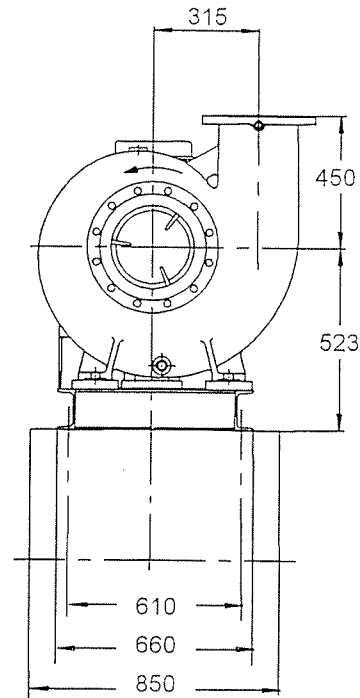
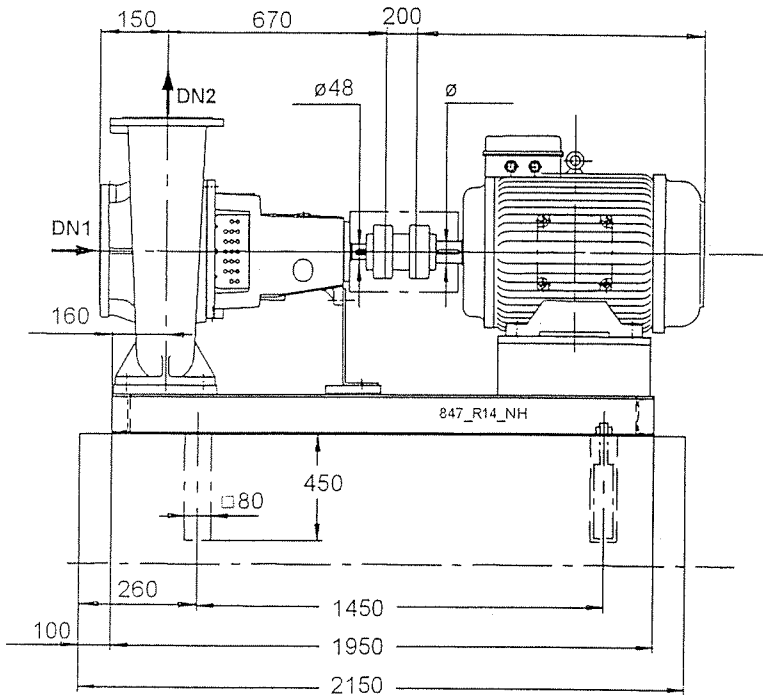
KSB order No.: 9970218228  
 KSB-item Nr.: 000200  
 KSB serial No.: 6N96536465  
 Date: 14.02.02

**Pump**

Size	Bearing bracket	DN1	DN2
150-500.1	WE55	200	150

**Flanges**

Version	Pressure rating
EN 1092-2	PN 16



Dimensions in mrr

**Baseplate**

Size	Material	Foundation bolts
R 223	ST	4xM20x400

**Coupling**

Make: Flender

Type series	Type	Size	Spacer sleeve
Eupex	N-H	200	200

**Motor IP55**

Make: Siemens

IEC Size	Power Pm [kW]	Speed U/min-rpm	Position of terminal box
315S	110	1486	1)

**Weight net**

kg

Pump	375
Baseplate	213
Coupling	31
Coupling guard	2
Motor	830
Accessories	
<b>Total</b>	<b>1451</b>

1) viewed from the drive end  
 O = above, R = right, L = left

**Piping must be connected without transmitting any stresses or strains!**

Max. allowable deviation for heights of centre: DIN 747  
 Dimensions without indication of tolerances, average to: ISO 2768-m  
 Connecting dimensions for pumps: EN 735  
 Dimensions without tolerances - welded parts: ISO 13920-B  
 Dimensions without tolerances - cast iron parts: ISO 8062-CT9

Plan for auxiliary connections see separate drawing