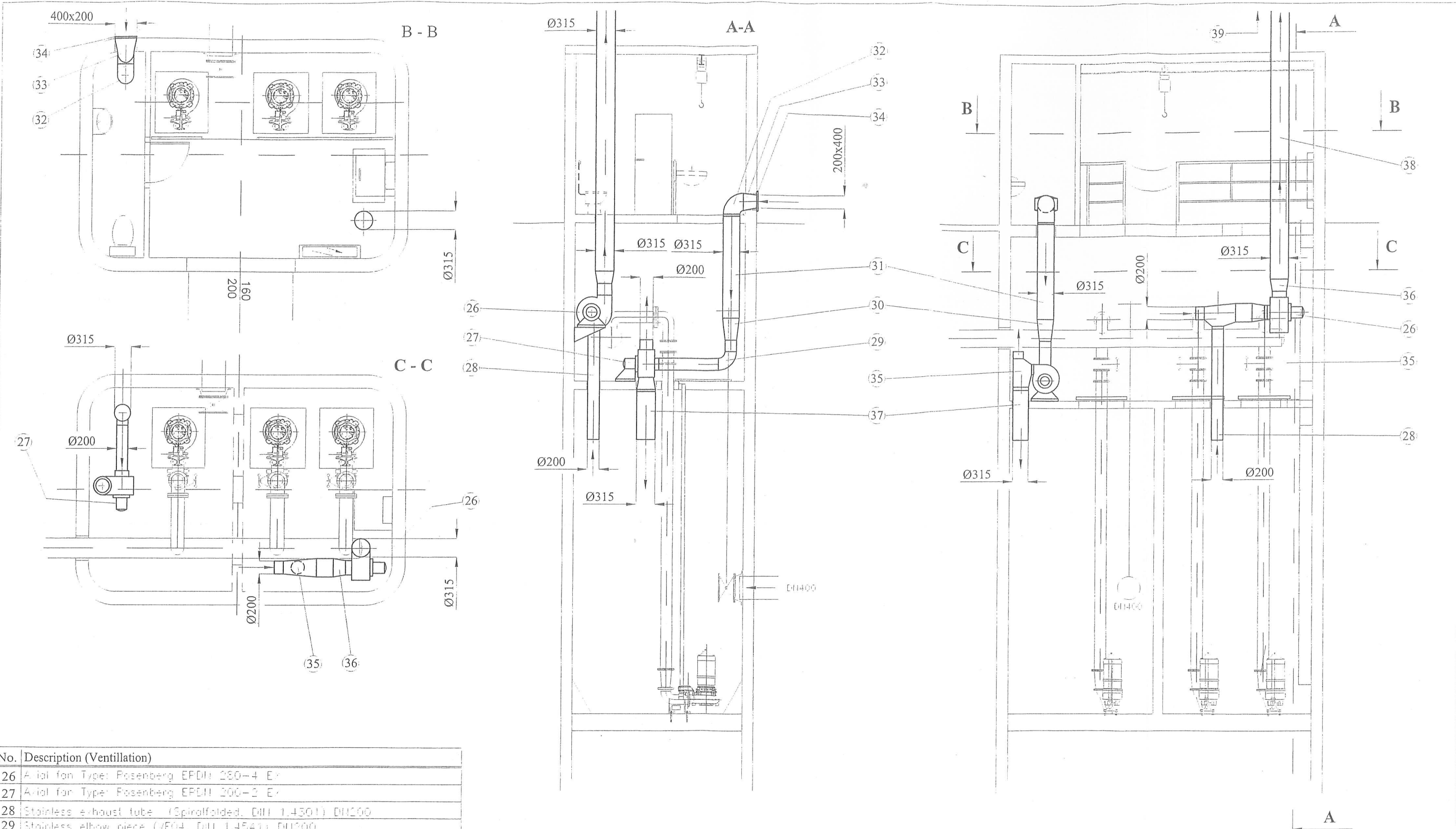


3127 jav. Varga L. 04.09.2007

| No. | Description (Pump, collector, measuring manhole, mechanical installation) |
|-----|---|
| 1 | Pump FLVGT NP-5155.181.HT 453 DII100 |
| 2 | Ball-flanged Check valve BELGICAST International DII 150 |
| 3 | AP gatevalve DII 150 stainless (DII 1.4541) |
| 4 | Ultrasonic Flow Meter ECOMAG Sensor Model: MSC2500 |
| 5 | AP Gatevalve DII 150 stainless (DII 1.4541) |
| 6 | Flanged reducer DII150/100 stainless (DII 1.4541) |
| 7 | Pressure pipe DII 150 (159x3) stainless (DII 1.4541) |
| 8 | Elbow piece DII 150 (159x3/90) stainless (DII 1.4541) |
| 9 | Flat steelflange DII 150 stainless (DII 1.4541) |
| 10 | Collector DII 200 (219x1-3) Stainless (DII 1.4541) |
| 11 | Stainless handhold (Section iron 20x20x2 DII1.4501) |
| 12 | Reducer DII 200/150 stainless (DII 1.4541) |
| 13 | Stainless ladder (Section iron 40x20x2 DII1.4571) |
| 14 | Conductor to the pump (Galvanized) |
| 15 | Manual chain hoist HCB20 |
| 16 | Manual crane trolley HMT20 |
| 17 | Guard rail (pipe 48,3 2,6, 26,9 2,6 galvanized) |
| 18 | Manhole cover 800x800 (embossed plate Lx5 galvanized) |
| 19 | Cover 750x415 (embossed plate Lx5 galvanized) |
| 20 | Angled endplate (219x1-3, Stainless DII 1.4571) |
| 21 | Stainless binder |
| 22 | Asbestosfree seal |
| 23 | Reducer DII 300/150 stainless (DII 1.4541) |
| 24 | Deflector DII 300 (323,9 3) Stainless (DII 1.4541) |
| 25 | AP Gatevalve DII 400 stainless (DII 1.4541) |

KEVIÉP
 Építőipari és Kereskedelmi Kft.
 4025 Debrecen, Széchenyi u. 46.
 4001 Pf.: 45.
 33.

| | | | |
|---|--|--|--|
| KELET-MAGYARORSZÁGI VÁLLALKOZÁSI, ÉPÍTŐIPARI ÉS KERESKEDELMI KFT. H-4025 Debrecen, Széchenyi u. 46. Telephone: +36(52)513-700; Telefax: +36(52)513-723 Address: H-4001 Debrecen Pf. 45. Web: www.keviep.hu E-mail: center@keviep.hu Acco.no no.: 10300002-3460743-00003265 | | Beneficiar(Beneficial): RA APA CANAL ORADEA str. D.Zamfirescu nr.1 Antreprenor(Contractor): KEVIÉP kft 46 Szechenyi utc., Debrecen Lucrarea(Project): Extindere si reabilitare retea canalizare menajera si pluviala Municipiul Oradea Oradea sewerage network refurbishment and extension | No.: 1/2 Faza/Phase As-built |
| Project Manager: Ing. Péter Sztermen | Superintendent: Ing. Sándor Szűcs | Draftsman: Lajos Varga | Scara/Scale 1 : 1000 Pump Station - Barcaului Hydraulic Installations |



| No. | Description (Ventillation) |
|-----|---|
| 26 | A-lal fan Type: Posenberg EPDII 280-4 E- |
| 27 | A-lal fan Type: Posenberg EPDII 200-2 E- |
| 28 | Stainless exhaust tube (Spiralfolded, DIN 1.4301) DN200 |
| 29 | Stainless elbow piece (VF04, DIN 1.4541) DN200 |
| 30 | Stainless reducer (VF08, DIN 1.4541) DN315/200 |
| 31 | Stainless e-haust tube (Spiralfolded, DIN 1.4301) DN315 |
| 32 | Stainless elbow piece (VF04, DIN 1.4541) DN315 |
| 33 | Stainless reducer (VF08, DIN 1.4541) 400-200/DN315 |
| 34 | Galvanized lattice (EV) 400-200 |
| 35 | Stainless T-branch (VF06, DIN 1.4541) DN315/200/200 |
| 36 | Stainless reducer (VF08, DIN 1.4541) DN315/280 |
| 37 | Stainless blowpipe (Spiralfolded, DIN 1.4301) DN315 |
| 38 | Stainless escapepipe (Spiralfolded, DIN 1.4301) DN315 |
| 39 | Stainless rain-hood (DIN 1.4541) DN315 |

KEVIÉP
 Építőipari és Kereskedelmi Kft.
 4025 Debrecen, Széchenyi u. 46.
 4001 Pf.: 45.
 33.

| | | | |
|--|-----------------------|--|--------------------------------------|
| KELET-MAGYARORSZÁGI VÁLLALKOZÁSI, ÉPÍTŐIPARI ÉS KERESKEDELMI KFT. H-4025 Debrecen, Széchenyi u. 46. Telephone: +36(52)513-700 Telefax: +36(52)513-723 Address: H-4001 Debrecen Pf. 45 Web: www.keviep.hu E-mail: center@keviep.hu Account no.: 10300002-34607743-00003285 | | Beneficiar(Beneficial): RA APA CANAL ORADEA str. D.Zamfirescu nr.1 Antreprenor(Contractor): KEVIEP kft 46 Szechenyi utc., Debrecen Lucrarea(Project): Extindere si reabilitare retea canalizare menajera si pluviala Municipiul Oradea Oradea sewerage network refurbishment and extension | No.: 2/2 Faza/Phase: As-built |
| Project Manager: Ing. Péter Sztermen Superintendent: Ing. Sándor Szűcs Draftsman: Lajos Varga | Scara/Scale: 1 : 1000 | Pump Station - Barcaului Ventillation | |